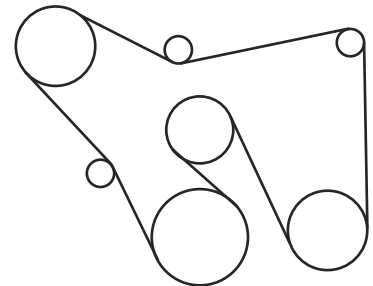
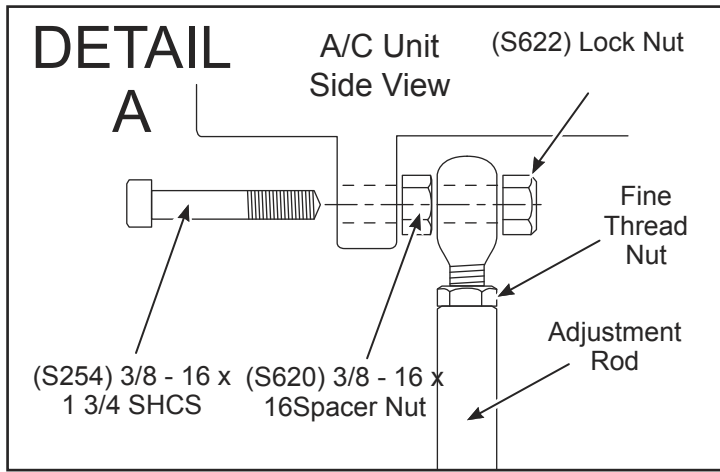


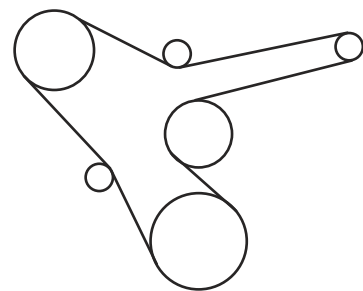


# Chevy Small Block 20405-20408 and 20415-20418 Serpentine Conversion Kits



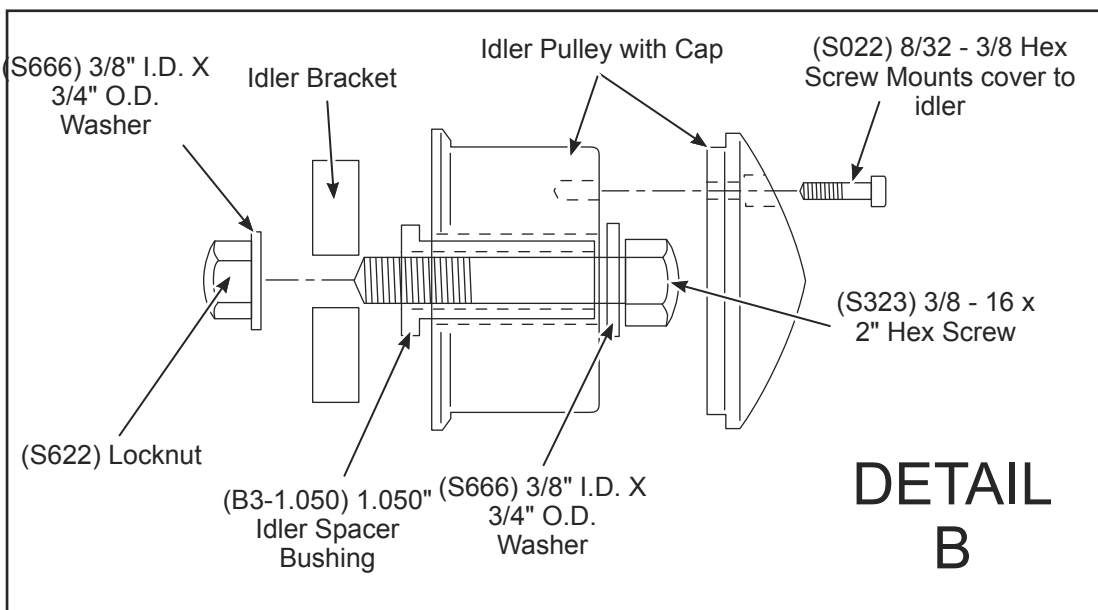
### Belt Size with Power Steering

20406/20407 Saginaw use: Dayco 5061075  
 20408 Remote Reservoir use: Dayco 5061025  
 20416/20417 Saginaw use: Dayco 5061065  
 20418 Remote Reservoir use: Dayco 5061000

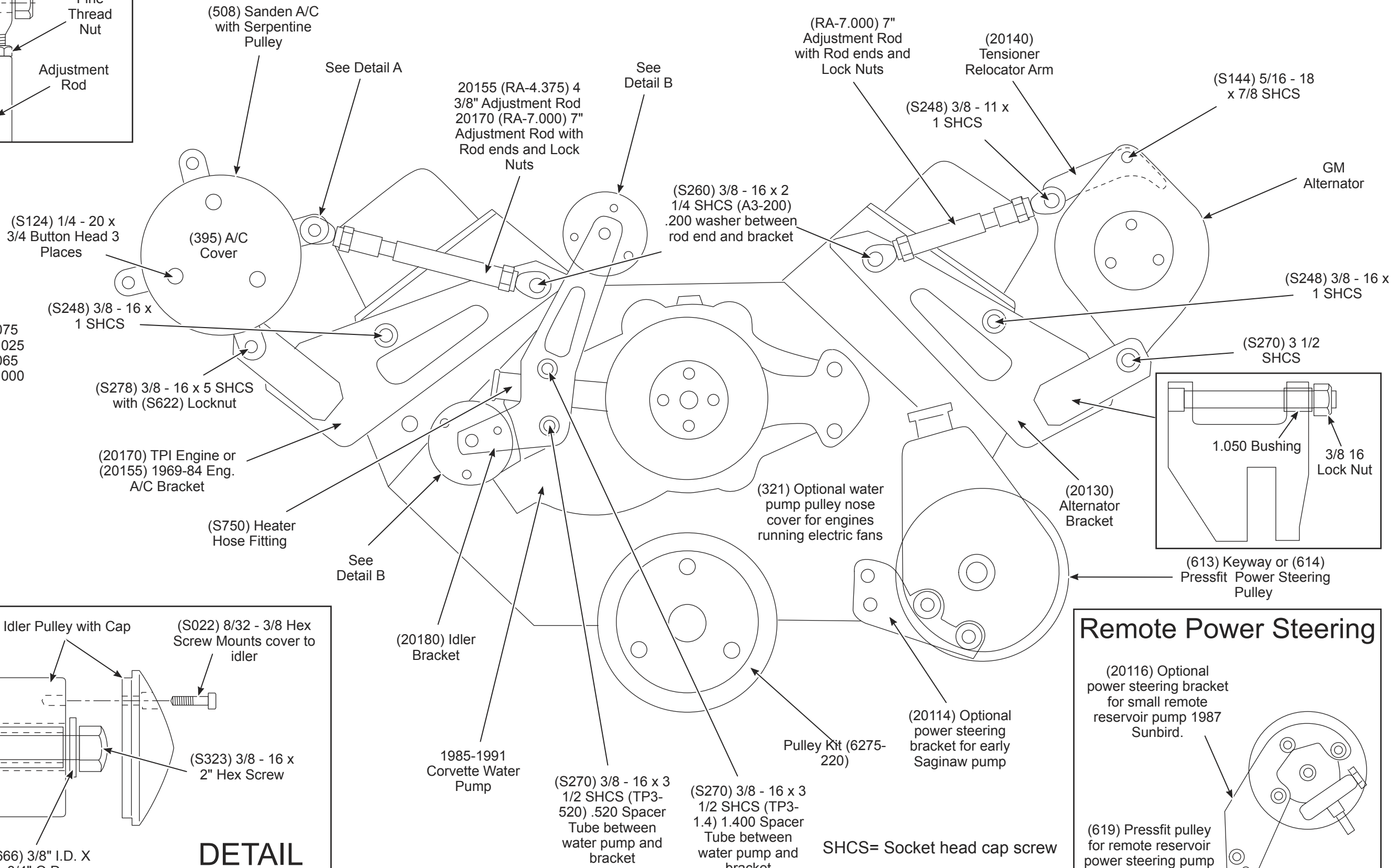


### Belt Size with out Power Steering

20405 use: Dayco 5060955  
 20415 use: Dayco 5060940



## DETAIL B



SHCS= Socket head cap screw

MARCH PERFORMANCE, INC. • 16160 PERFORMANCE WAY • NAPLES, FLORIDA 34110

Technical Support 888-729-9070

## Remote Power Steering

(20116) Optional power steering bracket for small remote reservoir pump 1987 Sunbird.

(619) Pressfit pulley for remote reservoir power steering pump

